

Operating Instructions

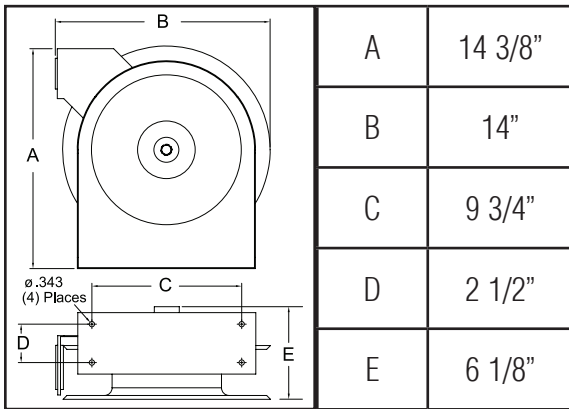
Series 5000 Spring Driven Hose Reels

Low, Medium, and High Pressure Model Numbers:

[5400 OLP](#) [5600 OLP](#) [5400 OMP](#) [5630 OMP](#)
[5450 OLP](#) [5635 OLP](#) [5600 OMP](#) [5400 OHP](#)



Dimensions



SAFETY

1. Do not use reel at higher pressures or temperatures than listed on the back of this bulletin.
2. Remove all spring tension before beginning disassembly process.

INSTALLATION:

A flexible hose connection must be used between the hose reel inlet and the source of supply to prevent possible misalignment and binding.

MOUNTING:

The hose reel is equipped with a universal mounting bracket so that it can be mounted on the floor, wall or ceiling; whichever place is convenient. The hose guide arm can be moved to the position desired by removing the screws fastening the guide bracket to the reel base. Shift the guide arm bracket so the hose comes off the reel at the desired position and replace the screws. **NOTE:** For proper installation in wall mount applications, ensure reel is mounted with inlet on the right as you are facing the reel. Failing to do so could cause latching issues.

LUBRICATION:

Hose reel spring and bearings are factory lubricated and require no further lubrication.

REPLACING HOSE:

1. Wind spool flange clockwise-facing swivel-until spring is tight.
2. Back off three turns and latch.
3. Insert hose through roller guide.
4. Connect hose fitting to swivel joint and secure hose with clamps.

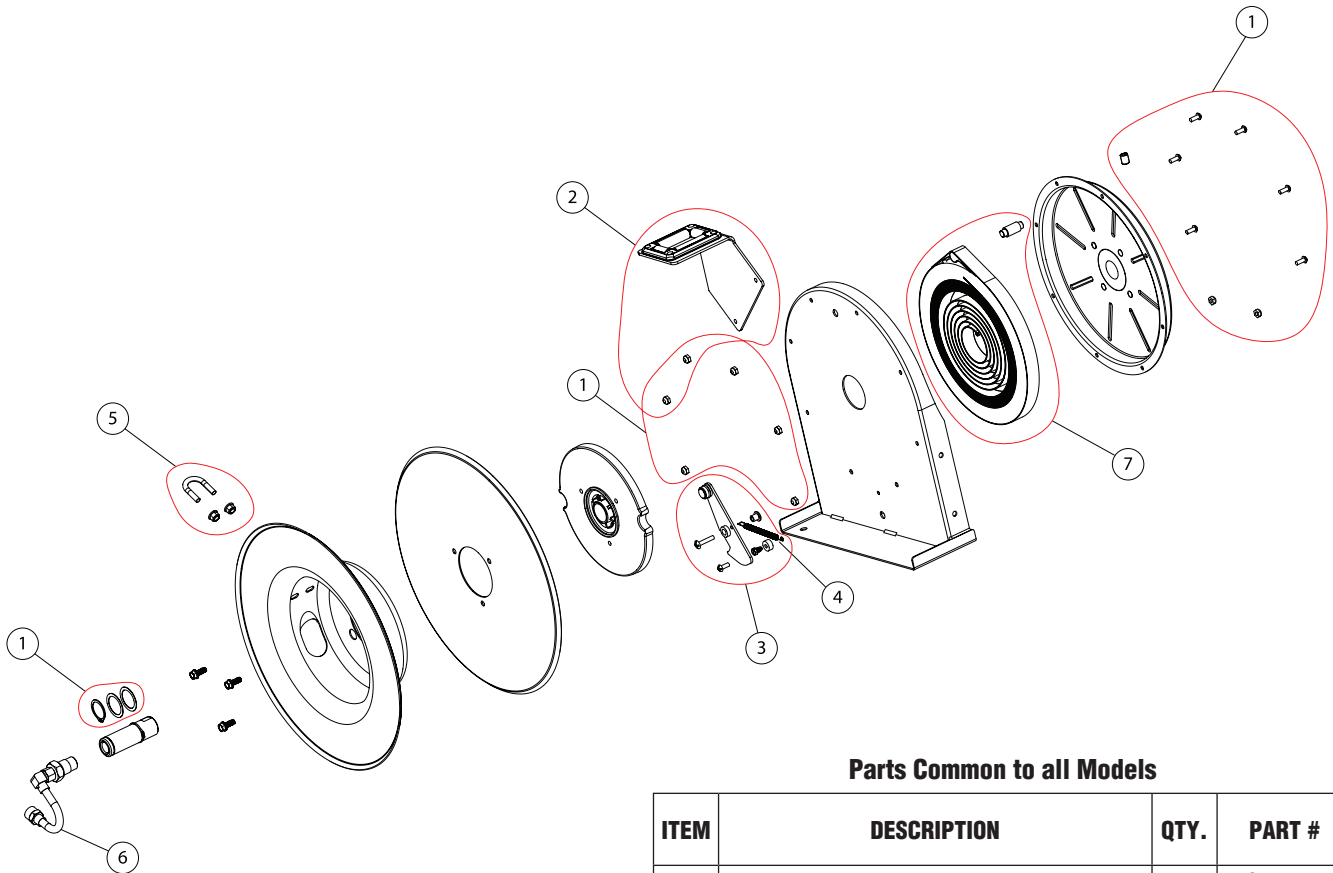
ADJUSTMENTS:

To adjust spring tension, add or remove wraps of hose from the spool, one wrap at a time until desired tension is obtained.

REPAIRS:

Extensive repairs should be performed only by an authorized serviceman or factory to avoid damage which may void your warranty. Remove all spring tension before beginning disassembly process.

Form# 831-696 Rev: 2/2026



Parts Common to all Models

ITEM	DESCRIPTION	QTY.	PART #
1	HARDWARE KIT	1	S603006
	RETAINING RING (1" OD SHAFT x .042" THICK)	1	
	WASHER (1.312" OD x 1.005" ID x .020" THICK)	2	
	3/8-16 x 1/2" SET SCREW	1	
	10-32 x 1/2" MACHINE SCREW	8	
	10-32 x 1/2" NYLON LOCK NUT	8	
2	GUIDE ARM ASSEMBLY WITH HARDWARE	1	S500107
	GUIDE ARM ASSEMBLY	1	
	10-32 x 1/2" MACHINE SCREW	2	
	10-32 x 1/2" NYLON LOCK NUT	2	
3	LATCH PLATE ASSEMBLY WITH HARDWARE	1	S602990
	10-32 x 1/2" MACHINE SCREW	1	
	10-32 x 1" MACHINE SCREW	1	
	LATCH BUSHING	1	
	LATCH SPRING	1	
	LATCH BUMPER	1	
	LATCH PLATE ASSEMBLY	1	
	10-24 x 3/8" SELF TAPPING SCREW	1	
	10-32 x 1/2" NYLON LOCK NUT	2	
4	LATCH SPRING	1	S400018
5	U BOLT ASSEMBLY	1	S3-117440
	U BOLT	1	
	1/4-20 NYLOC NUT	2	

ITEM	DESCRIPTION	QTY.	5400 OLP	5450 OLP	5600 OLP	5635 OLP	5400 OMP	5600 OMP	5630 OMP	5400 OHP
6	SWIVEL ASSEMBLY	1	S600886	S600886	S600886	S600886	S600358	S600358	S600358	S602492
7	DRIVE SPRING ASSEMBLY	1	S503755	S503755	S504240	S504240	S505740	S505740	S505740	S505740
---	BUMPER STOP ASSEMBLY	1	NONE	S1-HR1004-A	NONE	S1-HR1004	NONE	NONE	S1-HR1004-3	NONE
---	HOSE ASSEMBLY	1	NONE	S601001-50	NONE	S601013-35	NONE	NONE	S16-260043	NONE